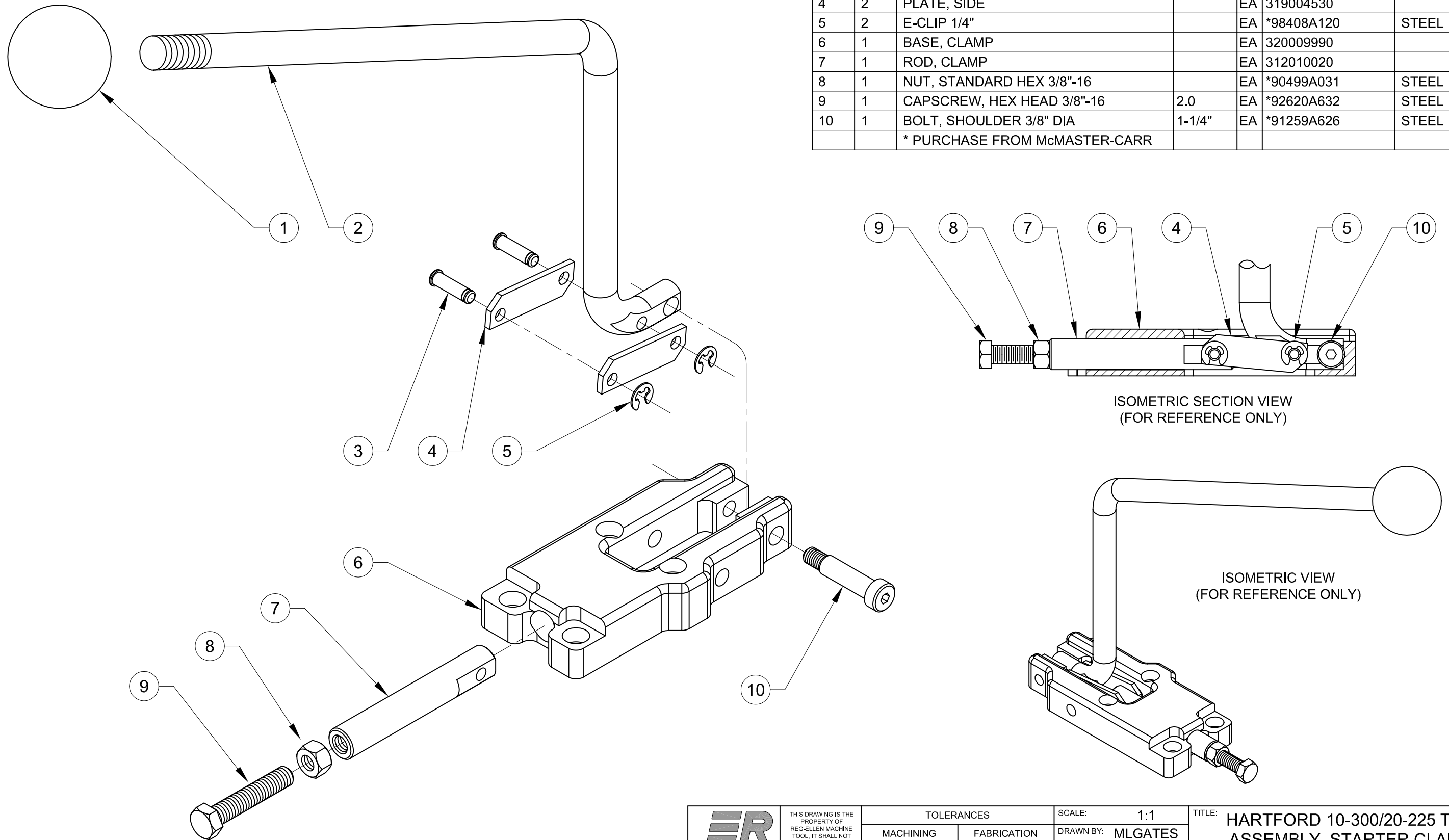


ITEM	QTY	DESCRIPTION	LENGTH	UM	PART NUMBER	MATERIAL	TYP	
1	1	KNOB, BALL 1-7/8" DIA. RED		EA	*7386K38	PLASTIC	P	
2	1	HANDLE, CLAMP		EA	312010010		D	
3	2	PIN, LEVER		EA	319005350		D	
4	2	PLATE, SIDE		EA	319004530		D	
5	2	E-CLIP 1/4"		EA	*98408A120	STEEL	P	
6	1	BASE, CLAMP		EA	320009990		D	
7	1	ROD, CLAMP		EA	312010020		D	
8	1	NUT, STANDARD HEX 3/8"-16		EA	*90499A031	STEEL	P	
9	1	CAPSCREW, HEX HEAD 3/8"-16	2.0	EA	*92620A632	STEEL	P	
10	1	BOLT, SHOULDER 3/8" DIA	1-1/4"	EA	*91259A626	STEEL	P	
		* PURCHASE FROM McMASTER-CARR						



ISOMETRIC SECTION VIEW
(FOR REFERENCE ONLY)

ISOMETRIC VIEW
(FOR REFERENCE ONLY)



THIS DRAWING IS THE PROPERTY OF REG-ELLEN MACHINE TOOL. IT SHALL NOT BE COPIED (IN WHOLE OR IN PART), FOR MANUFACTURE OR OTHERWISE DISCLOSED WITHOUT PRIOR WRITTEN CONSENT.

TOLERANCES	
MACHINING	FABRICATION
X. ±.040	ALL ±.06
X.X ±.020	ANGULAR 2°
X.XX ±.010	ALL FINISHES 125mu
X.XXX ±.005	DEBURR ALL SHARP CORNERS OR EDGES
ANGULAR ± 1/2°	

SCALE: 1:1
DRAWN BY: MLGATES
DATE: 02FEB11
CHECKED BY:
DATE:

TITLE: HARTFORD 10-300/20-225 THD ASSEMBLY, STARTER CLAMP		
SIZE: B	SHEET: 1 OF 1	REV: B
DWG NO: 320009990A		