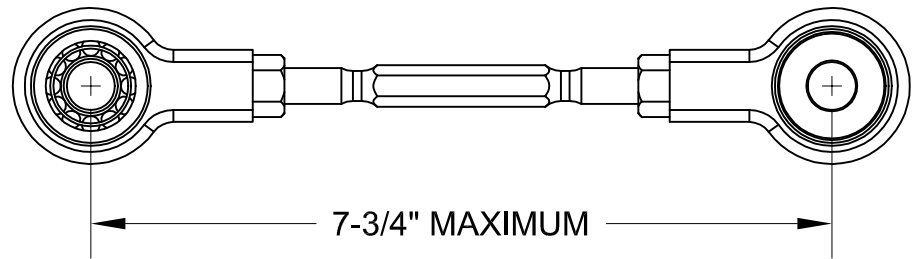
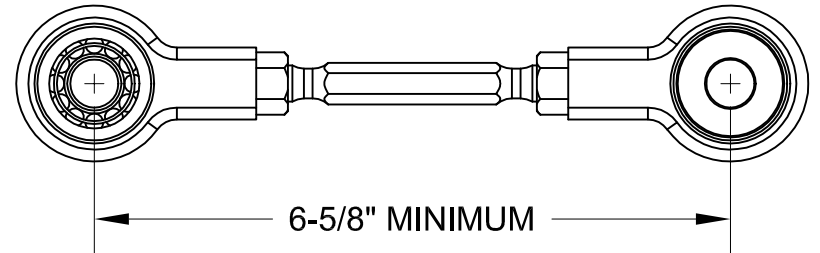
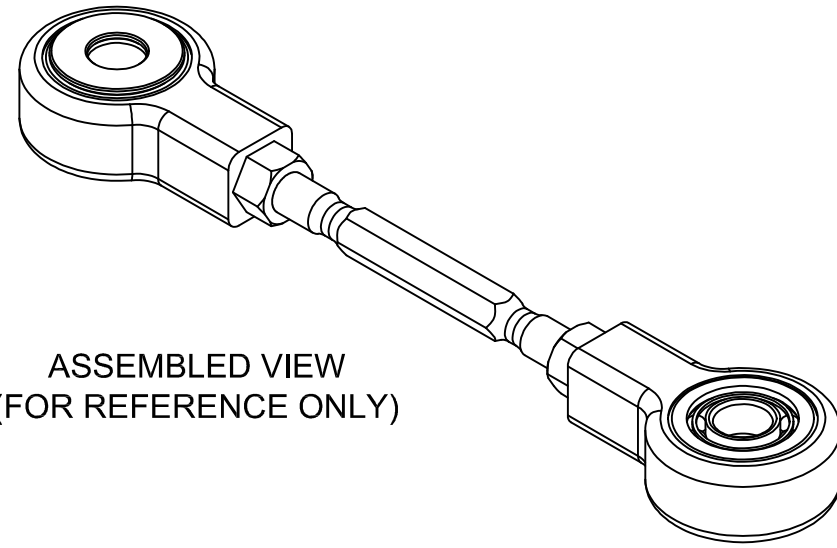
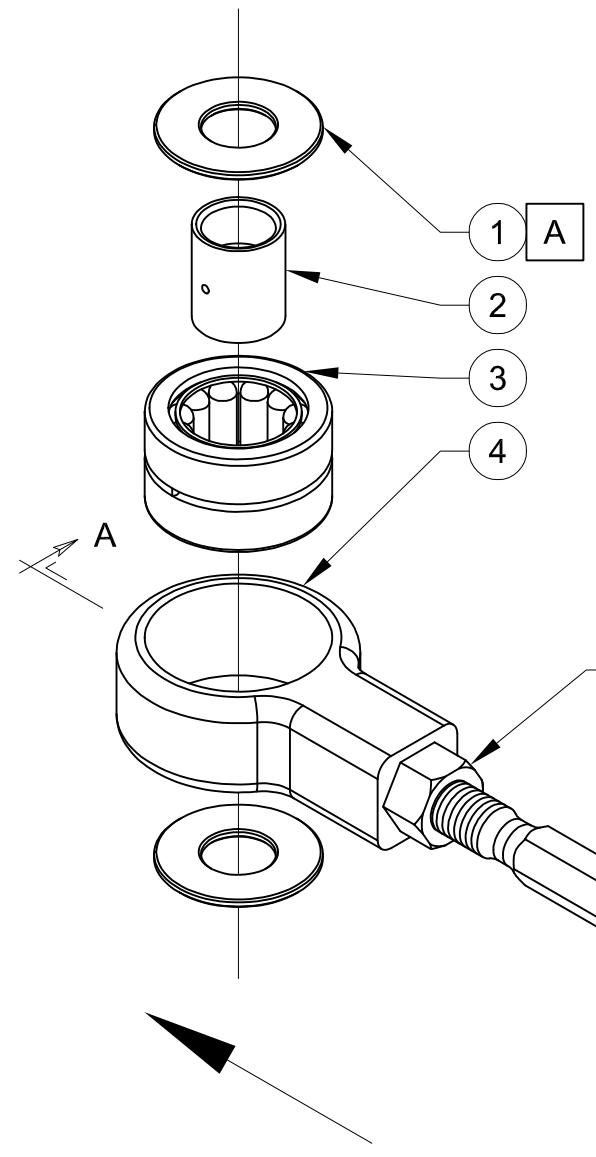


ITEM	QTY	DESCRIPTION	LENGTH	UM	PART NUMBER	MATERIAL	TYP
1	2	WASHER, THRUST		EA	3300-6-P15		D
2	2	RACE, INNER		EA	3300-6-P14		D
3	2	BEARING, ROLLER		EA	3300-6-P13		D
4	1	ROD END (LEFT HAND)		EA	330050160		D
5	1	NUT, LEFT HAND 3/8"-24 GRADE 8		EA	*99891A125		P
6	1	ROD, ADJUSTING		EA	330050330		D
7	1	NUT, STD 3/8"-24 HEX GRADE 8		EA	*90499A815		P
8	1	ROD END (RIGHT HAND)		EA	330050070		D
* PURCHASE FROM McMASTER-CARR							

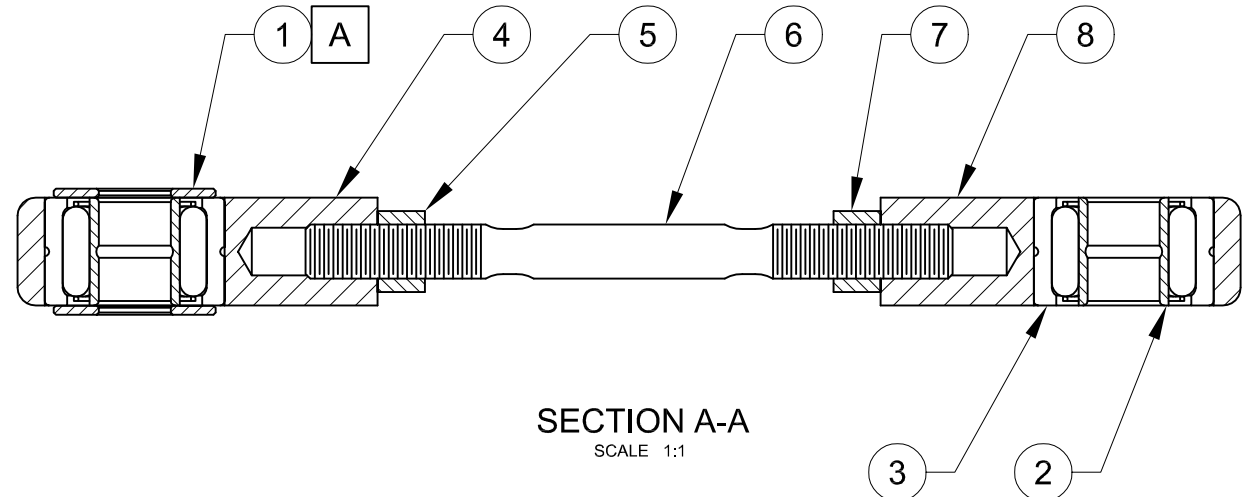
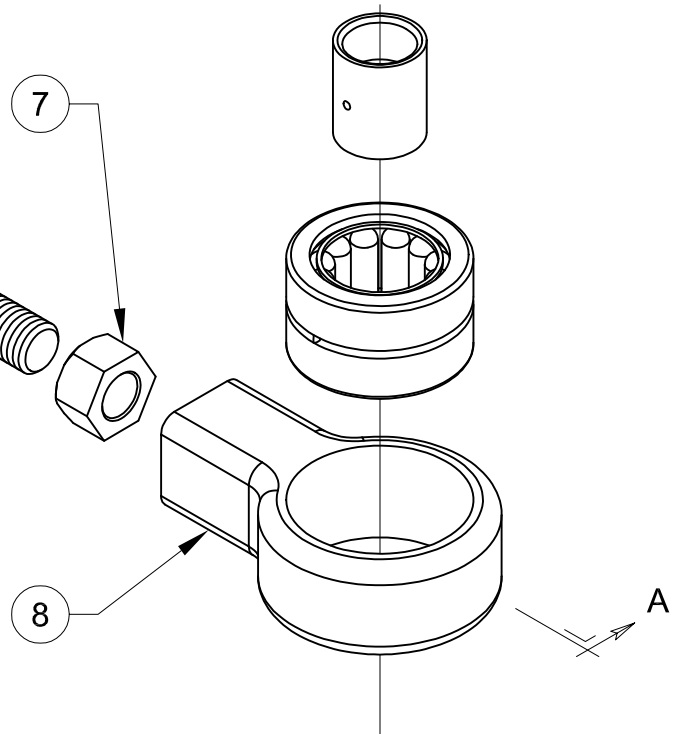
ASSEMBLED VIEW
(FOR REFERENCE ONLY)



CAM FOLLOWER ASSEMBLY



STARTER ASSEMBLY



SECTION A-A
SCALE 1:1

A FITTING MAY BE REQUIRED AT ASSEMBLY



THIS DRAWING IS THE PROPERTY OF REG-ELLEN MACHINE TOOL. IT SHALL NOT BE COPIED (IN WHOLE OR IN PART), FOR MANUFACTURE OR OTHERWISE DISCLOSED WITHOUT PRIOR WRITTEN CONSENT.

TOLERANCES		SCALE: 1:1
MACHINING	FABRICATION	DRAWN BY: MLGATES
X. ± .040	ALL ± .06	DATE: 05NOV19
X.X ± .020	ANGULAR ± 2°	CHECKED BY:
X.XX ± .010	ALL FINISHES 125mu	DATE:
X.XXX ± .005	DEBURR ALL SHARP CORNERS OR EDGES	
ANGULAR ± 1/2°		

TITLE: HARTFORD, 0-500 THD ASSEMBLY, STARTER CONNECTION		
SIZE: B	SHEET: 1 OF 1	REV:
DWG NO: 330050330A		

AUTOCAD DRAWING: FORM REVISION 13MAR12