

**A** ASSEMBLE USING REMOVABLE THREAD LOCKING COMPOUND



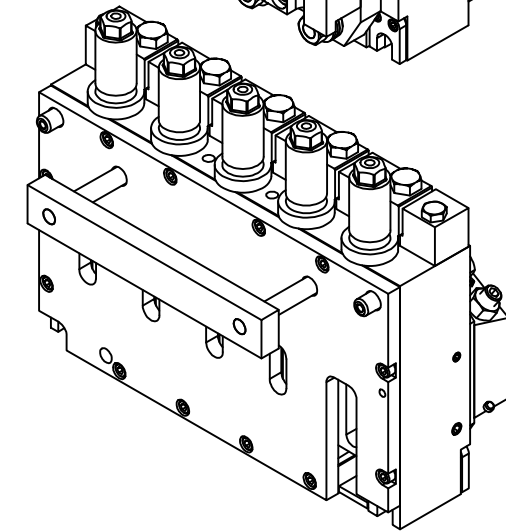
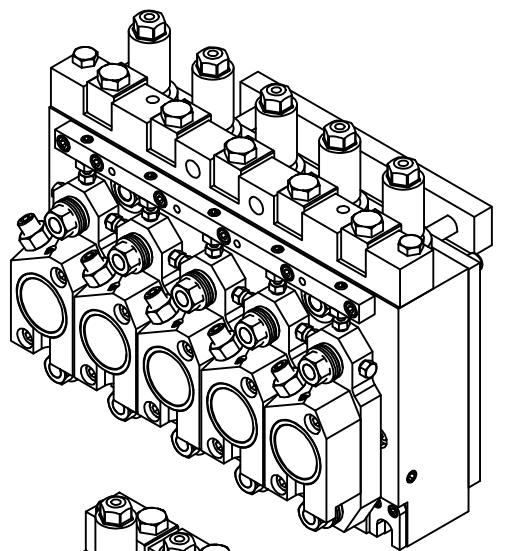
THIS DRAWING IS THE PROPERTY OF REG-ELLEN MACHINE TOOL. IT SHALL NOT BE COPIED (IN WHOLE OR IN PART), FOR MANUFACTURE OR OTHERWISE DISCLOSED WITHOUT PRIOR WRITTEN CONSENT.

TOLERANCES	
MACHINING	FABRICATION
X. ± .040	ALL ± .06
X.X ± .020	ANGULAR 2°
X.XX ± .010	ALL FINISHES 125mu
X.XXX ± .005	DEBURR ALL SHARP CORNERS OR EDGES
ANGULAR ± 1/2°	

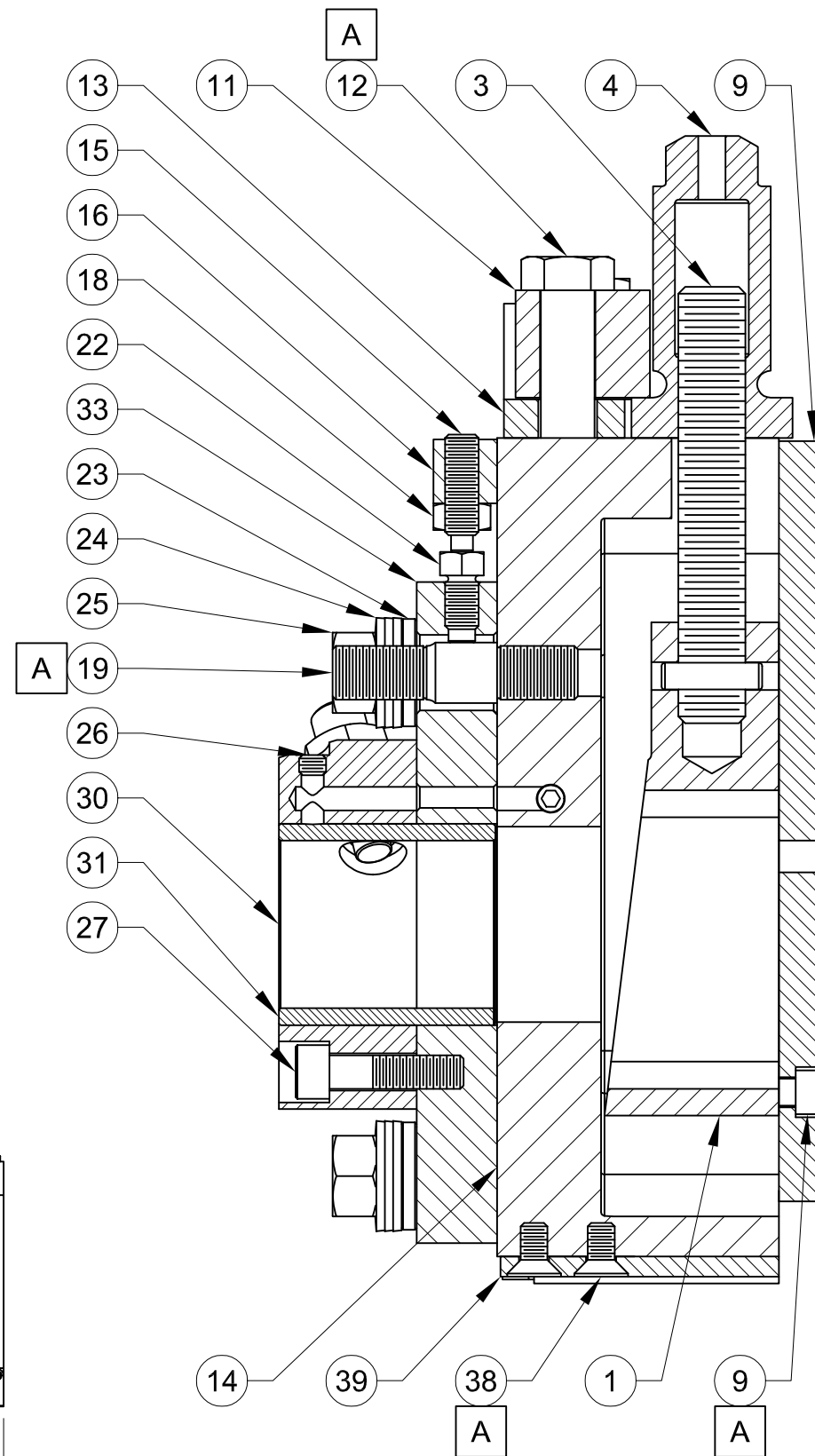
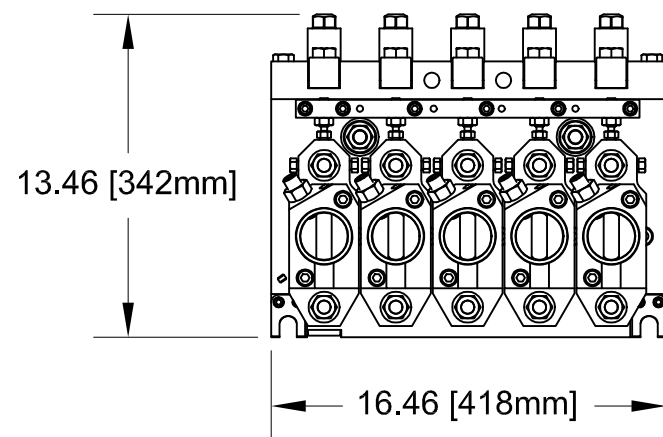
SCALE: 1:1  
 DRAWN BY: MLGATES  
 DATE: 30MAY19  
 CHECKED BY:  
 DATE:

TITLE: FORMAX , FX3 ASSEMBLY, PUNCH PACK  
 SIZE: B SHEET: 1 OF 2 REV:  
 DWG NO: FX3-2608U6094A

AUTOCAD DRAWING: FORM REVISION 13MAR12



ISOMETRIC ASSEMBLY VIEW  
(FOR REFERENCE ONLY)



ITEM	QTY	DESCRIPTION	LENGTH	UM	PART NUMBER	MATERIAL	TYP
1	5	WEDGE FX3-2608U10060-02		EA	SEE DESCRIPTION		D
2	5	PIN, SPRING ROLL 8mm DIA.	30mm	EA	*91611A510	STEEL	P
3	5	STUD, WEDGE FX3-9224AM10100125-22		EA	SEE DESCRIPTION		D
4	5	NUT, WEDGE FX3-2608U10070-03		EA	SEE DESCRIPTION		D
5	2	PIN, HARDENED DOWEL (PULL) 16mm	60mm	EA	*97355A587	STEEL	P
6	2	STUD, CLAMP FX3-9224AM10090185-21		EA	SEE DESCRIPTION		D
7	1	CLAMP FX3-2608U10090-05		EA	SEE DESCRIPTION		D
8	1	PLATE, BACKING FX3-2608U10100-06		EA	SEE DESCRIPTION		D
9	12	CAPSCREW, SOCKET HEAD M8 X 1.25	20mm	EA	*91290A426	STEEL	P
10	2	CAPSCREW, HEX HEAD M12 X 1.75	60mm	EA	*91280A729	STEEL	P
11	5	LOCK, WEDGE NUT FX3-2608U10180-04		EA	SEE DESCRIPTION		D
12	5	CAPSCREW, HEX HEAD M16 X 2.0	65mm	EA	*91280A011	STEEL	P
13	1	BAR, CLAMP LOCK FX3-2608U10170-26		EA	SEE DESCRIPTION		D
14	1	PLATE, TOOL PACK FX3-2608U10050-01		EA	SEE DESCRIPTION		D
15	5	SCREW, ADJUSTING FX3-9133AM614-11		EA	SEE DESCRIPTION		D
16	1	BAR, HOLDER STOP FX3-2608U10120-07		EA	SEE DESCRIPTION		D
17	6	CAPSCREW, SOCKET HEAD M8 X 1.25	30mm	EA	*91290A434	STEEL	P
18	5	NUT, STANDARD M10 X 1.5		EA	*90592A024	STEEL	P
19	10	STUD, PUNCH CAP FX3-2608U10140-08		EA	SEE DESCRIPTION		D
20	5	WASHER, HEAVY M6		EA	*98040A104	STEEL	P
21	5	CAPSCREW, BUTTON HEAD M6 X 1.0	12mm	EA	*91239A318	STEEL	P
22	15	SCREW, ADJ. FX3-3121AM1145001-12		EA	SEE DESCRIPTION		D
23	10	WASHER, HEAVY M16		EA	*98040A109	STEEL	P
24	30	WASHER, BELVILLE SPRING 5/8"		EA	*90127A035	STEEL	P
25	10	NUT, STANDARD M16 X 2.0		EA	*90592A034	STEEL	P
26	5	SETSCREW, SOCKET HEAD M8 X 1.25	6mm	EA	*91390A553	STEEL	P
27	10	CAPSCREW, SOCKET HEAD M10 X 1.5	40mm	EA	*91290A528	STEEL	P
28	5	SCREW, CLAMPING FX3-3121AM1046118		EA	SEE DESCRIPTION		D
29	5	NUT, STANDARD M16 X 2.0		EA	*90592A034	STEEL	P
30	5	CAP, PUNCH FX3-2608U9020040-29		EA	SEE DESCRIPTION		D
31	5	SLEEVE, CAP FX3-2608U9024010-30		EA	SEE DESCRIPTION		D
32	5	NUT, STANDARD M16 X 2.0		EA	*90592A034	STEEL	P
33	5	HOLDER, CAP FX3-2608U10160-09		EA	SEE DESCRIPTION		D
34	2	PLUG, PIPE 1/4" NPT		EA	*1725K13	STEEL	P
35	2	NUT, CLAMP FX3-3121AM998807-13		EA	SEE DESCRIPTION		D
36	2	PLATE, WEAR FX3-2608U1032-XX		EA	SEE DESCRIPTION		D
37	4	CAPSCREW, SOCKET HEAD M6 X 1	12mm	EA	*96144A111	STEEL	P
38	2	CAPSCREW, FLAT HEAD M8 X 1.25	16mm	EA	*91294A282	STEEL	P
39	1	PLATE, COVER FX3-2608U1460-XX		EA	SEE DESCRIPTION		D
40	1	PLUG, PIPE 1/4" NPT		EA	*1725K13	STEEL	P
41	1	PLUG, PIPE 1/8" NPT		EA	*1725K12	STEEL	P
42	REF	ASSEMBLY, PUNCH HOLDER (SET)		EA	SEE DESCRIPTION		D
		FX3-2608U9020040-29A					
		*PURCHASE FROM McMASTER-CARR					

A ASSEMBLE USING REMOVABLE THREAD LOCKING COMPOUND



THIS DRAWING IS THE PROPERTY OF REG-ELLEN MACHINE TOOL. IT SHALL NOT BE COPIED (IN WHOLE OR IN PART), FOR MANUFACTURE OR OTHERWISE DISCLOSED WITHOUT PRIOR WRITTEN CONSENT.

TOLERANCES	
MACHINING	FABRICATION
X, ± .040	ALL ± .06
X.X ± .020	ANGULAR 2°
X.XX ± .010	ALL FINISHES 125mu
X.XXX ± .005	DEBURR ALL SHARP CORNERS OR EDGES
ANGULAR ± 1/2°	

SCALE: 1:1	TITLE: FORMAX, FX3 ASSEMBLY, PUNCH PACK
DRAWN BY: MLGATES	DATE: 30MAY19
CHECKED BY:	DATE:

SIZE: B	SHEET: 2 OF 2	REV:
DWG NO: FX3-2608U6094A		

AUTOCAD DRAWING: FORM REVISION 13MAR12